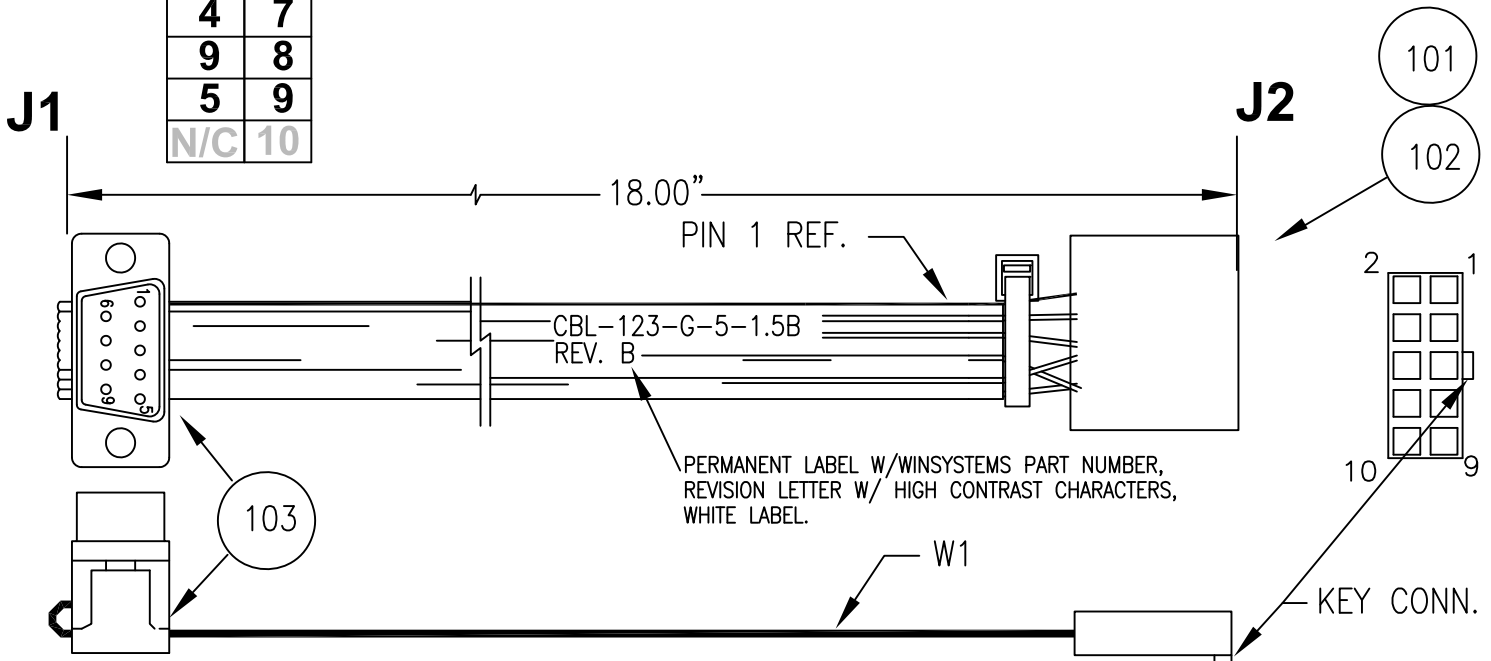


**WIRE LIST**

J1	J2
1	1
6	2
2	3
7	4
3	5
8	6
4	7
9	8
5	9
N/C	10

REV.	DESCRIPTION	DATE:	ALT. BY	APPROVED
B	RoHS and 4-40 THD INSERTS	8.02.06	M.BROWNING	



**\*ALL ALTERNATES MUST BE ELECTRICAL and MECHANICAL EQUIVALENTS to SPECIFIED PARTS, and must be RoHS COMPLIANT.**

DET.	REF.	DESCRIPTION	MANUFACTURER	MPART NO.	WIN. NO.	-1	100	RoHS Compliance
100	EI	SERIAL CABLE, EPX TO 9 PIN MALE			CBL-123-G-5-1.5B	1		RoHS
101	*	2.00mm PITCH, MILLI-GRID CRIMP HOUSING 51110	MOLEX	51110-1051			1	RoHS
102		CRIMP TERMINALS MILLI-GRID, (15u") SELECT GOLD 50394	MOLEX	50394-8100			10	RoHS
103	**	DSUB MALE 9PIN W/STRAIN REL AND # 4-40 THREADED INSERTS	ITW-PANCON	IDM9PT5 with DA009			1	RoHS
104		4" TIE WRAP	PANDUIT	PLT1M-M				RoHS
W1	***	10 CONDUCTOR 28AWG, RIBBON CABLE	ITW-PANCON	050F28V10CR			13"	RoHS

**RoHS Compliance Notice: All Vendors providing quotations and/or materials to WinSystems, Inc., must supply a RoHS Directive "Certificate of Compliance", referencing the part number(s) of delivered items.**

NOTE: CABLE ASSY MUST BE ELECTRICALLY TESTED.

*WinSystems, Inc.*

"THE STD BUS AUTHORITY"

TITLE: **CBL-123-G-5-1.5B \*RoHS\***  
SERIAL CABLE, 2MM TO 9 PIN MALE

DRW. BY: M.BROWNING	DATE: 11/10/04	APP. BY:	DATE:
ACAD ID:	SCALE: NOTED	TOL:	
FSCM. NO:	DRW. NO:	REV: B	SHT. OF 1 OF 1

100

PART NO.	(0.0)	(0.00)	(0.000)	ANG.
TOLERANCE UNLESS NOTED	±	±	±	±