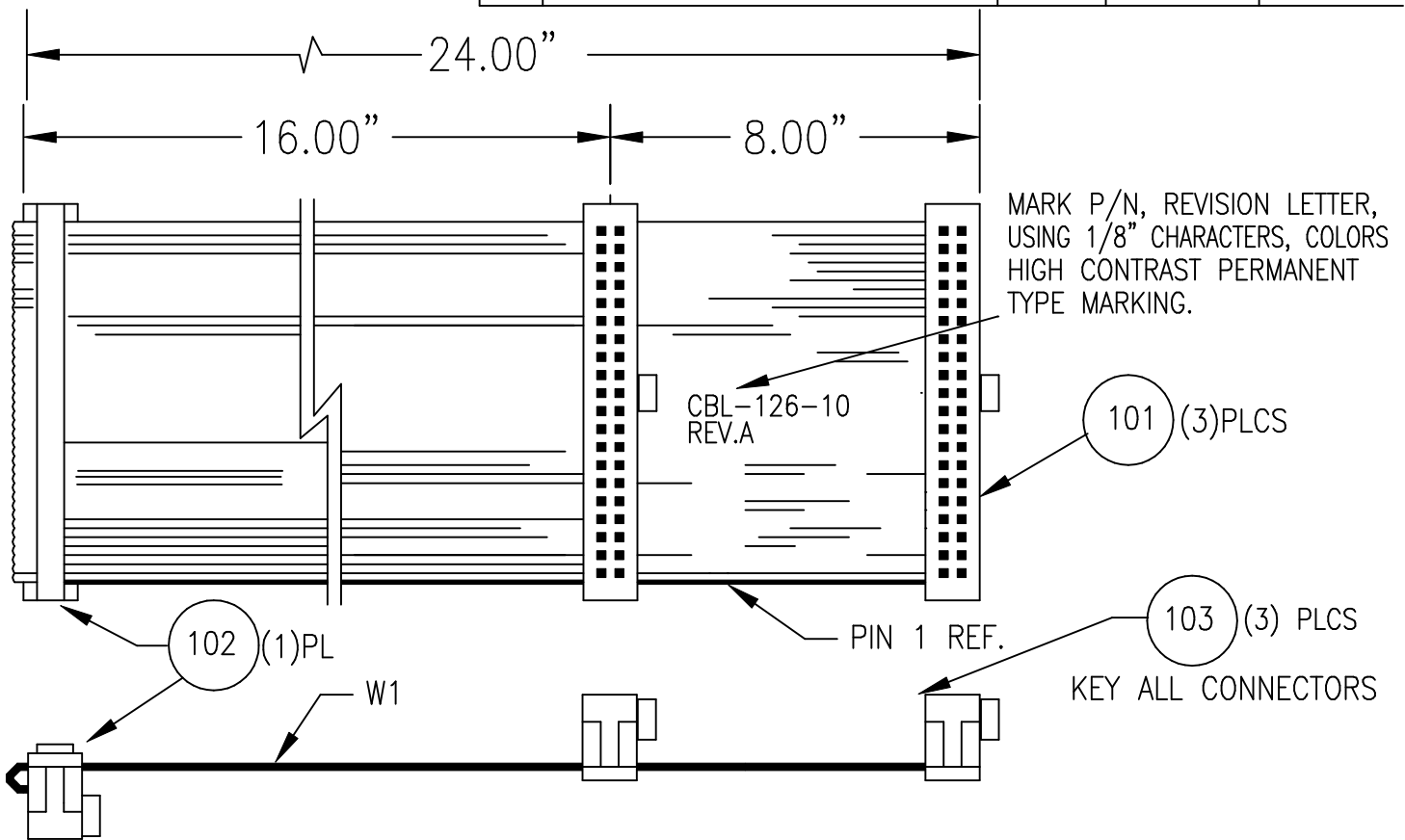


REV.	DESCRIPTION	DATE:	ALT. BY	APROVED
A	INITIATED DWG.	05-29-03	M.BROWNING	



DET.	REF.	DESCRIPTION	MANUFACTURER	MPART NO.	WIN. NO.	-1	100		
100	EI	DUAL I.D.E. U.D.M.A. 66 HIGH DATA RATE			CBL-126-10	1			
101	*	RIBBON CONN. 40 PIN	PANDUIT	050-040-455	270-0040-455		3		
102	*	STRAIN RELIEF, 40 PIN	PANDUIT	050-000-040	271-0040-500		1		
103		POLARIZING KEY	PANDUIT	100-000-043	271-0000-000		1		
W1	**	RIBBON CONN. 80 POSITION U.D.M.A.66 HIGH DATA RATE	AWM E101344 2678 VW-1 150V 105° SPACE SHUTTLE 30AWG CSA LL80671 AWM IA FT1				25'		
*		ALT IDC CONN IF USED MUST MEET MIL-C-83503 AND HAVE WINSYSTEMS APPROVAL.							
**		NO ALTERNATE WIRE ALLOWED.							

NOTE: CABLE ASSY MUST BE ELECTRICALLY TESTED.

WinSystems, Inc.

'THE STD BUS AUTHORITY'

TITLE: *CBL-126-10 DUAL I.D.E. U.D.M.A.66 HIGH DATA RATE*

DRW. BY: M.BROWNING DATE: 05-29-03 APP. BY: DATE:

ACAD ID: CBL12610.DWG	SCALE: NOTED	TOL:
FSCM. NO:	DRW. NO:	REV: A SHT. 1 OF 1

100

FULL SCALE				
PART NO.	CBL-126-10			
TOLERANCE UNLESS NOTED	(0.0)	(0.00)	(0.000)	ANG.
	±	±	±	±