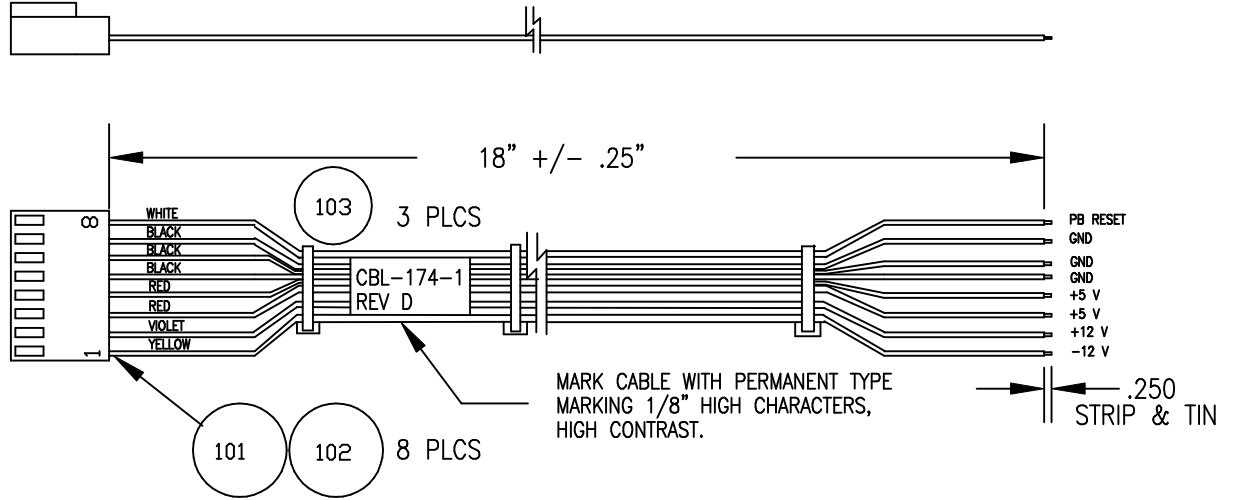


REV.	DESCRIPTION	DATE:	ALT. BY	APPROVED
A	CONVERTED TO CAD.	7/28/93	R. COMPTON	
B	ADD MARKING SPEC	5/4/94	RC	
C	CHANGE 8 PIN HOUSING, CRIMP TERMINAL ADD ADDITIONAL 5V, GND CONDUCTORS,	7/25/95	MEB	
D	CHANGE all 22 awg conductors to 20 awg ECO 00-72	10/10/00	MEB	

WIRE LIST	
REF.	PIN
W1	8
W2	7
W2	6
W2	5
W3	4
W3	3
W4	2
W5	1



DET.	REF.	DESCRIPTION	MANUFACTURER	MPART NO.	WIN. NO.	-1	100		
100	EI	QUICK START CBL SAT-V40			CBL-174-1	1			
101		HOUSING 8 PIN	MOLEX	10-11-2083	201-0008-800	1			
102		CRIMP TERMINAL	MOLEX	08-55-0124	201-0008-810	8			
103		CABLE TIE 4"	MOUSER	4810102	500-0050-000	3			
W1	**	WIRE 20 AWG WHITE	ALPHA	7056/19-1	109-0009-201	18"			
W2	**	WIRE 20 AWG BLACK	ALPHA	7056/19-2	109-0000-201	54"			
W3	**	WIRE 20 AWG RED	ALPHA	7056/19-3	109-0002-201	36"			
W4	**	WIRE, 20 AWG. VIOLET	ALPHA	7056/19-10	109-0007-201	18"			
W5	**	WIRE, 20 AWG. YELLOW	ALPHA	7056/19-5	109-0004-201	18"			
**		ALT. WIRE MAY BE USED. STYLE UL1429 / MIL-W-16878D TYPE B							

WinSystems, Inc.

"THE STD BUS AUTHORITY"

TITLE:

CBL-174-1 QUICK START SAT-V40

DRW. BY:

R. COMPTON

DATE:

7/28/93

APP. BY:

DATE:

ACAD ID:

CBL1741.DWG

SCALE:

NOTED

TOL:

FSCM. NO:

DRW. NO:

REV:

D

SHT. 1 OF 1

FULL SCALE

PART NO.	CBL-174-1			
TOLERANCE UNLESS NOTED	(0.0)	(0.00)	(0.000)	ANG.
	±	±	±	±

100