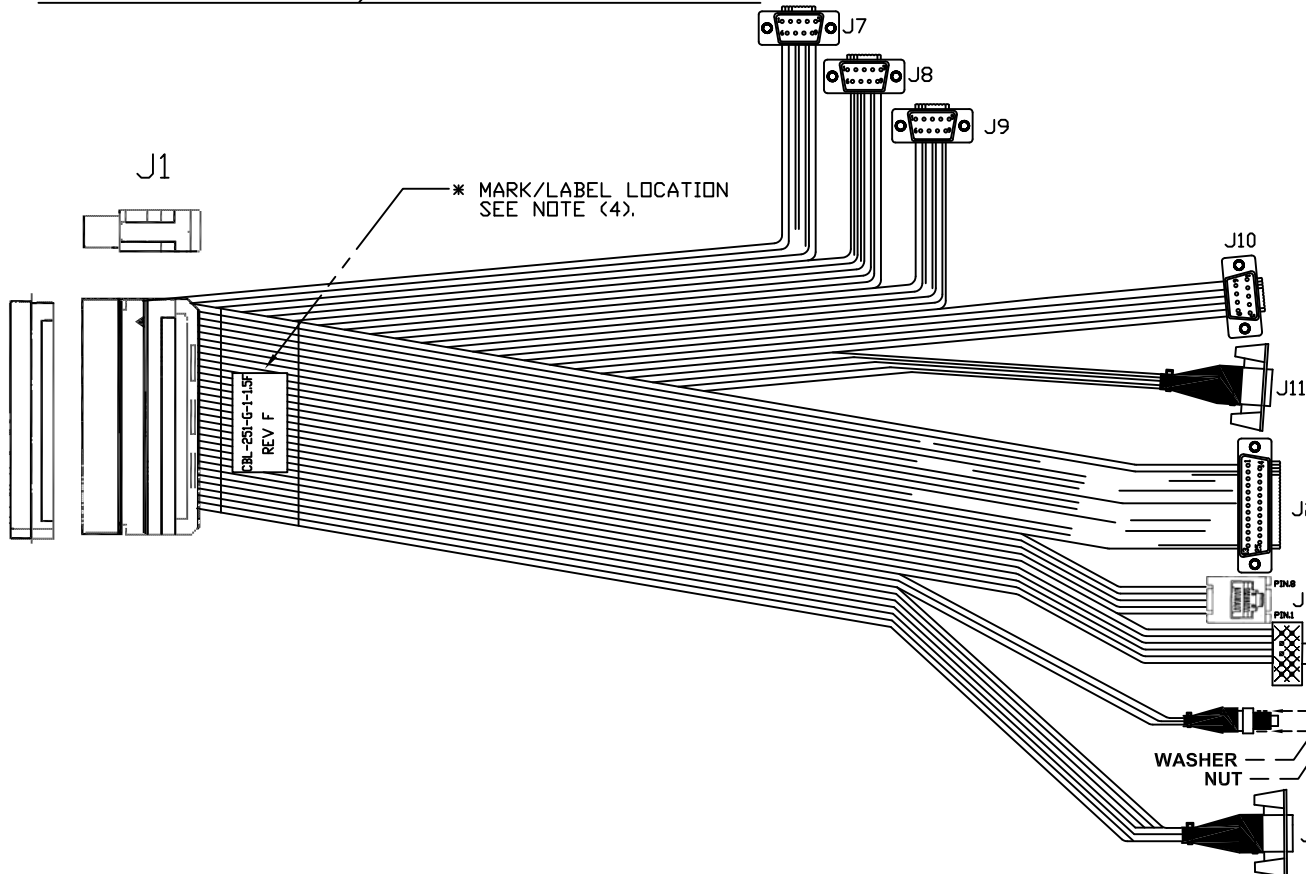


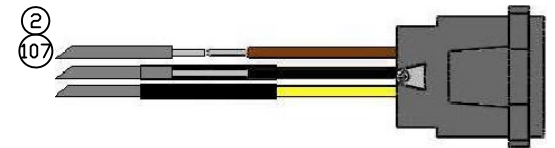
18.00" LENGTH, ALL BRANCHES

REVISIONS				
ZONE	REV	DESCRIPTION	DATE	CHANGED BY
	C	RoHS and 4-40 THD INSERTS	8.02.06	M.BROWNING
	D	ECD 07-67: LPT SIGNAL DESC. ADDED	06.04.07	M.BROWNING
	E	ECD 08-124 ADD HEATSHRINK DIAGRAM, J3 ENET CHANGE TO STRAIN RELIEF VERSION	08.07.08	M.BROWNING
	F	ECD 09-57: CHANGE DET J3 SOURCE	06.18.09	M.BROWNING

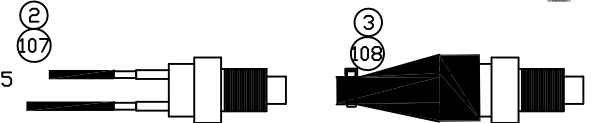


ASSEMBLY NOTES: J5, J6, J11

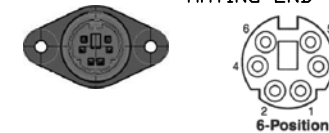
1. SOLDER WIRES TOGETHER.
2. COVER EACH SOLDER CONNECTION WITH SHRINK TUBING TO INSULATE.



3. USING SHRINK TUBING, 'JACKET' AS SHOWN TO COVER PART OF J2 HOUSING AND ALL INDIVIDUAL SOLDER CONNECTIONS.



MATING END VIEW



NOTES:

- (1) INDIVIDUALLY COVER ALL SOLDER CONNECTIONS WITH HEATSHRINK.
- (2) APPLY ADDITIONAL HEATSHRINK OVER SOLDER END OF CONNECTORS, 'JACKETING' END OF CONNECTOR HOUSING AS WELL AS INDIVIDUAL SOLDER CONNECTIONS.
- (3) TIE WRAP EACH END OF OUTER HEATSHRINK TO PROVIDE STRAIN RELIEF.
- (4) MARK/LABEL ASSEMBLY USING HIGH CONTRAST TEXT, WITH PART NUMBER AND REVISION LETTER, USE PERMANENT TYPE MARKING.
- (5) RETAIN/INSTALL INCLUDED MOUNTING HARDWARE(WASHER, NUT) AT J5.

UNLESS OTHERWISE SPECIFIED DIMENSIONS ARE IN INCHES. TOLERANCE FRACTIONS: ANGLES +/- 1/2" DECIMALS: .XX ± .03 .XXX ± .010 MACHINE FINISH: ✓	CUSTOMER APPROVAL	DATE	WinSystems, Inc. "THE STD BUS AUTHORITY" CBL-251-G-1-1.5F *RoHS* MULTI I/O SERIAL, PS2 KYBD, LPT, ENET, RESET, PS2 MOUSE
	APPROVAL	DATE	
	CHECKER	DATE	
	DRAFT/DESIGN M.BROWNING	DATE 06.15.06	
SIZE C	CAGE CODE 1AUB7	DWG NO. CBL-251-G-1-1.5F-S1	REV F
SCALE	CAD ID:	SHEET 1 OF 2	

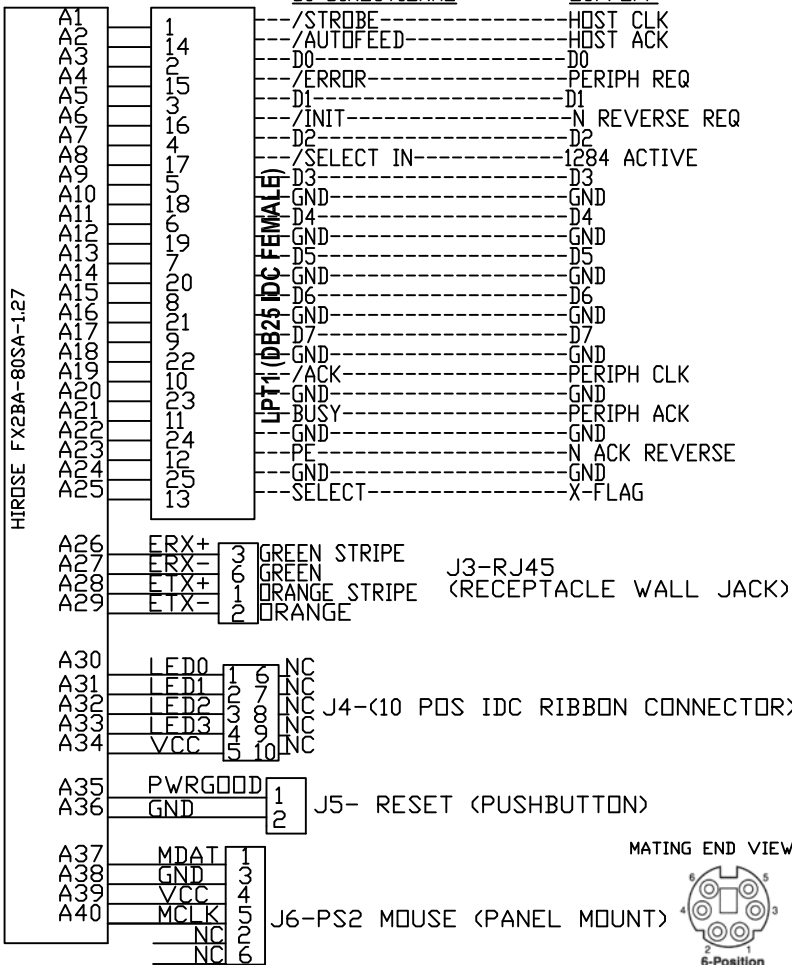
J1A J2

BI-DIRECTIONAL

ECP/EPP

J1B

REVISIONS				
ZONE	REV	DESCRIPTION	DATE	CHANGED BY
C		RoHS and 4-40 THD INSERTS	8.02.06	M.BROWNING
D		ECD 07-67: LPT SIGNAL DESC. ADDED	06.04.07	M.BROWNING
E		ECD 08-123 ADD HEATSHRINK DIAGRAM, J3 ENET CHANGE TO STRAIN RELIEF VERSION	08.07.08	M.BROWNING
F		ECD 09-57: CHANGE DET J3 SOURCE	06.18.09	M.BROWNING



J3-RJ45 (RECEPTACLE WALL JACK)

J4-(10 POS IDC RIBBON CONNECTOR)

J5- RESET (PUSHBUTTON)

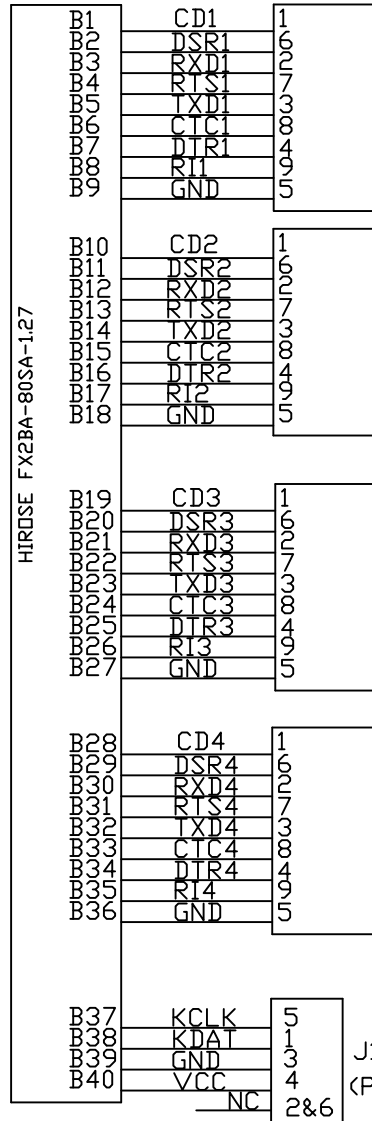
J6-PS2 MOUSE (PANEL MOUNT)

MATING END VIEW



Assembly Must Comply With Specifications of Manufacture and Acceptance (RoHS M&A) of RoHS Compliant Cable and Cable Assemblies for WinSystems, Inc. Rev B 11.11.2008

DET	REF	DESCRIPTION	MANUFACTURER	MPART NO.	WIN. NO.	-1	100	RoHS Compliance
100	EI	CABLE ASSEMBLY, SX					1	
J1		HIROSE FX2BA-80SA-1.27R	HIROSE	FX2BA-80SA-1.27R			1	RoHS
J2	**	DSUB FEMALE 25PIN W/STRAIN REL AND # 4-40 THREADED INSERTS	ITW-PANCON	IDM25ST5 with DA025			1	RoHS
J3	**	CAT-5e Keystone Jack, Krone, 90-degree, White	PI MANUFACTURING CDORP	KYE-5-RT-WHT			1	RoHS
J4	**	10 POS IDC RIBBON CONN	ITW PANCON	050-010-455A			1	RoHS
J4	**	10 POS STRAIN RELIEF	ITW PANCON	050-000-010			1	RoHS
J5	*	SUBMINIATURE PUSHBUTTON SWITCH	C&K	8532-M-20E2 BLACK			1	RoHS
J6, J11	*	6 MINI-DIN RECEPTACLE, PANEL MOUNT	COI (DIGIKEY)	MD-60PL100 CP-2960-ND			2	RoHS
J7-J10	**	DSUB MALE 9PIN W/STRAIN REL	ITW-PANCON	IDM9PT5 with DA009			4	RoHS
		40 POS RIBBON CABLE	ITW-PANCON	050F28V40-CR			38.00"	RoHS
J5, J6, J11		HEAT SHRINK 3/16 HIGH SHRINK RATIO POLYOLEFIN	ALPHA WIRE	FIT-321-1/2			6.0"	RoHS
J5, J6, J11		HEAT SHRINK 1/16 FLEXIBLE IRRADIATED PVC	ALPHA WIRE	FIT-105-3/64			5.0"	RoHS
J5, J6, J11		WIRE TIE 4"	PANBUIIT (MUSER)	PLT1M-M			3	RoHS



J7- SID1 (DB9 IDC MALE)

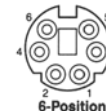
J8- SID2 (DB9 IDC MALE)

J9- SID3 (DB9 IDC MALE)

J10- SID4 (DB9 IDC MALE)

J11-PS2 KYBD (PANEL MOUNT)

MATING END VIEW



UNLESS OTHERWISE SPECIFIED DIMENSIONS ARE IN INCHES. TOLERANCE FRACTIONS: ANGLES +/- 1/2" DECIMALS: .XX ± .03 .XXX ± .010	CUSTOMER APPROVAL	DATE	WinSystems, Inc. *THE STD BUS AUTHORITY* CBL-251-G-1-1.5F *RoHS* MULTI I/O LPT, SID1-SID4, PS2 MOUSE, PS2 KYBD
	APPROVAL	DATE	
	CHECKER	DATE	SIZE C CAGE CODE 1AU87 DWG NO. CBL-251-G-1-1.5F-S21 F REV 1 SCALE CAD ID: SHEET 2 of 2
	DRAFT/DESIGN M.BROWNING	DATE 05/30/01	