

5

4

3

2

1

REVISIONS				
ZONE	REV	DESCRIPTION	DATE	CHANGED BY
	A		4.19.07	M.BROWNING
	B	ECO: 07-113, DET 103, J3,J4 NEW MFG	07.24.07	M.BROWNING

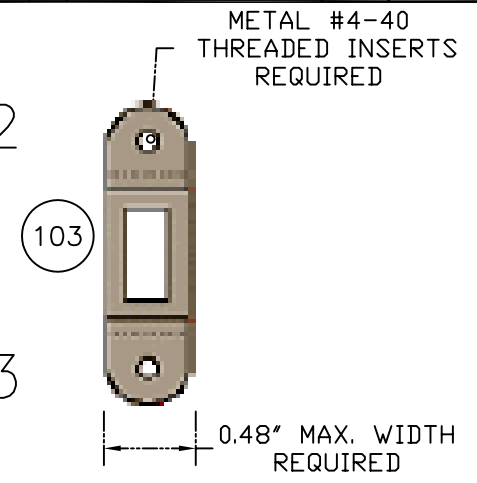
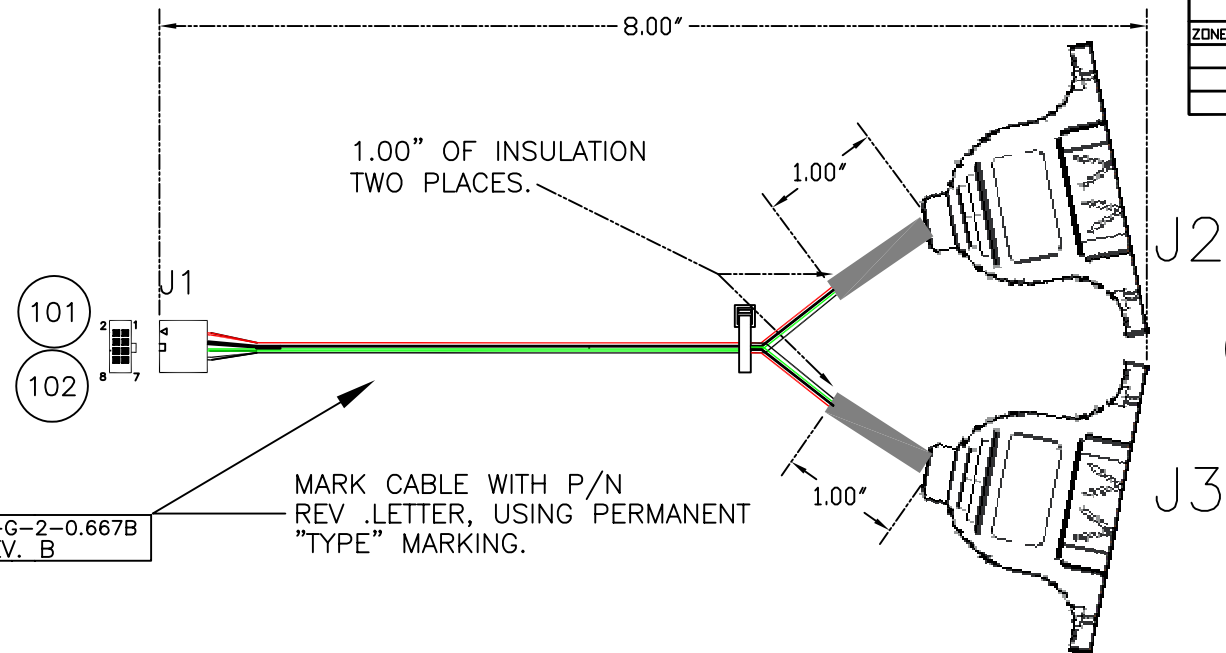


FIG. 1

***NOTES:**

- (1) NO HEAT SHRINK TO BE USED.
- (2) CABLE ASSY MUST BE ELECTRICALLY TESTED.
- (3) DET.103, (J2,J3) WIDTH MUST NOT EXCEED 0.48". SEE FIG.1
- (4) DET.103, (J2,J3) , METAL #4-40 THREADED INSERTS REQUIRED. SEE FIG.1

***ALL ALTERNATES MUST BE ELECTRICAL and MECHANICAL EQUIVALENTS to SPECIFIED PARTS, and must be RoHS COMPLIANT.**
RoHS Compliance Notice: All Vendors providing quotations and/or materials to WinSystems, Inc., must supply a RoHS Directive "Certificate of Compliance", referencing the part number(s) of delivered items.

WIRE LIST				
J1	J2	J3	COLOR	SIGNAL
1	1		RED	USB0+5V
2		1	RED	USB1+5V
3	2		WHITE	USB0 D-
4		2	WHITE	USB1 D-
5	3		GREEN	USB0 D+
6		3	GREEN	USB1 D+
7	4		BLACK	USB0GND
8		4	BLACK	USB1GND

DET.	REF.	DESCRIPTION	MANUFACTURER	MPART NO.	WIN. NO.	-1	100	
100	EI	CBL 8P, 2mm TO DUAL USB				1		
101	J1	HOUSING 2.00MM, 8 POS	MOLEX	51110-0851		1	ROHS	
102		CRIMP TERMINAL 50394	MOLEX	50394-8051	201-0014-002	8	ROHS	
103	J3,J4	USB TYPE A PANEL MOUNT V/#4-40 THREADED INSERTS (ROHS)	Y.T.TECH	A009-USB 4P		2	ROHS	
104	*	SHRINKABLE TUBING 3d HIGH SHRINK RATIO POLYOLEFIN	ALPHA WIRE	FIT-321-1/4		3"	ROHS	

UNLESS OTHERWISE SPECIFIED DIMENSIONS ARE IN INCHES.
 TOLERANCE
 FRACTIONS ANGLES +/- 1/2"
 DECIMALS: .XX ± .03 .XXX ± .010

MACHINE FINISH:
 ✓

CUSTOMER APPROVAL	DATE
APPROVAL	DATE
CHECKER	DATE
DRAFT/DESIGN M.BROWNING	DATE 4.19.07

WinSystems, Inc.
 "THE EMBEDDED PC AUTHORITY"
 CBL-275-G-2-0.667B *RoHS*
 8" USB DUAL TO 2MM 8 POS
 EPX-GX, ENC-EPIC

SIZE C	CAGE CODE 1AUB7	DWG NO.	REV B
SCALE	CAD ID:	SHEET 1 OF 1	

5

4

3

2

1