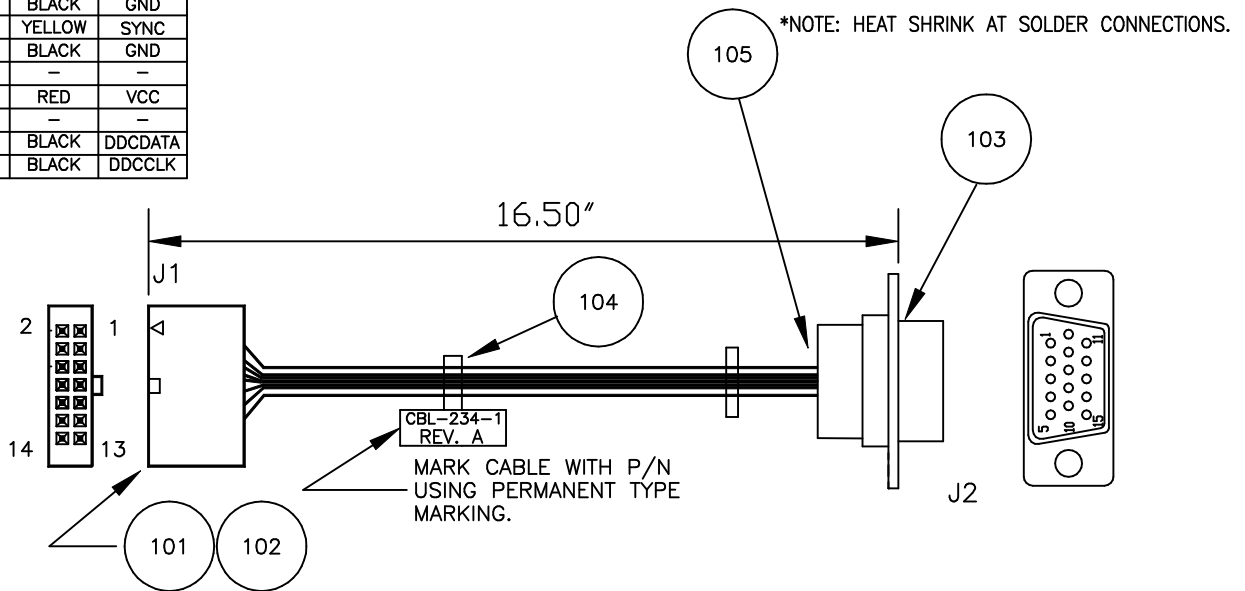


WIRE LIST			
J1	J2	COLOR	SIGNAL
1	1	RED	R
2	6	BLACK	GND
3	2	GREEN	G
4	7	BLACK	GND
5	3	BLUE	B
6	8	BLACK	GND
7	13	VIOLET	SYNC
8	5	BLACK	GND
9	14	YELLOW	SYNC
10	10	BLACK	GND
-	4	-	-
14	9	RED	VCC
-	11	-	-
11	12	BLACK	DDCDATA
13	15	BLACK	DDCCLK



DET.	REF.	DESCRIPTION	MANUFACTURER	MPART NO.	WIN. NO.	-1	100	
100	EI	CBL 14P, 2mm TO 15 FEMALE D-SUB			CBL-234-1	1		
101		HOUSING 2.00MM, 14 POS	MOLEX	51110-1451	201-0014-001		1	
102		CRIMP TERMINAL 50394	MOLEX	50394-8051	201-0014-002		14	
103		HOUSING, 15D FEMALE, SOLDER	KELTRON	DNH-15STSH-SG			1	
104	*	CABLE TIE 4"	MOUSER	PLT1M-M (PAN)			5	
105		HEAT SHRINK	-	-			-	
W1	*	WIRE 26 AWG PVC BLACK	ALPHA	7053/2			80*	
W2	*	WIRE 26 AWG PVC RED	ALPHA	7053/3			16"	
W3	*	WIRE 26 AWG PVC YELLOW	ALPHA	7053/5			16"	
W4	*	WIRE 26 AWG PVC GREEN	ALPHA	7053/4			16"	
W5	*	WIRE 26 AWG PVC BLUE	ALPHA	7053/6			16"	
W6	*	WIRE 26 AWG PVC VIOLET	ALPHA	7053/10			16"	
	*							
	*							
*		ALT WIRE MAY BE USED MUST BE UL STYLE 1429.						

NOTE: CABLE ASSY MUST BE ELECTRICALLY TESTED.

THIS DRAWING IS CAD GENERATED. COORDINATE REVISIONS WITH DOCUMENTATION CONTROL

WinSystems, Inc. "THE STD BUS AUTHORITY"				SCALE 1 TO 1	TOL NOTED
TITLE CBL-234-1 14 POS., 2.0 MM TO 15 FEMALE D-SUB				DRAWING NO. CBL-234-1	
DRAWN M.BROWNING	DATE 07-12-99	APPRV	DATE	SHEET NO. 1 OF 1	
CHKD	DATE	REV: A	DATE		